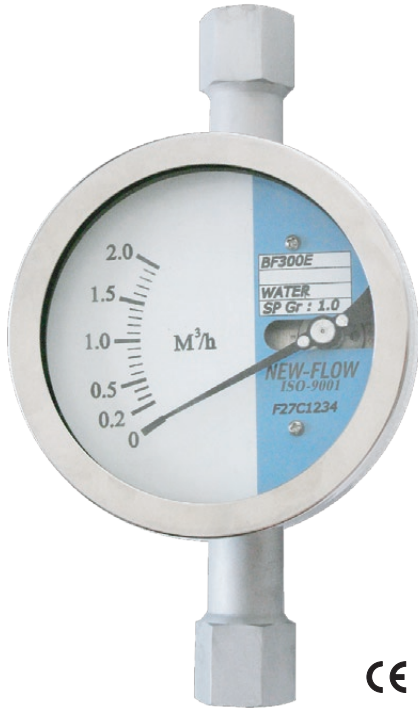
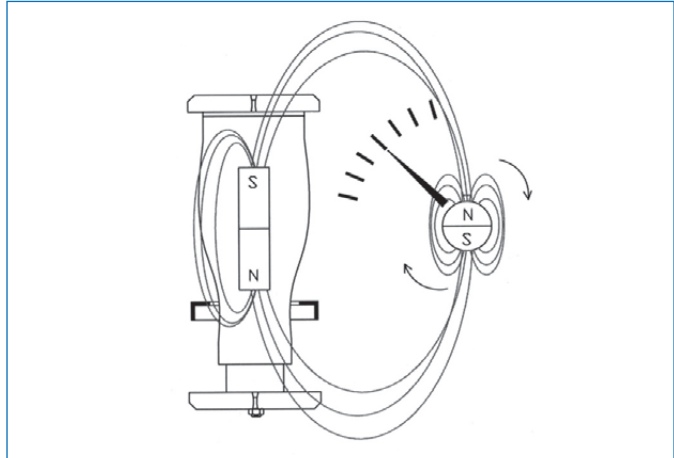


METAL TUBE FLOW METER BF300E

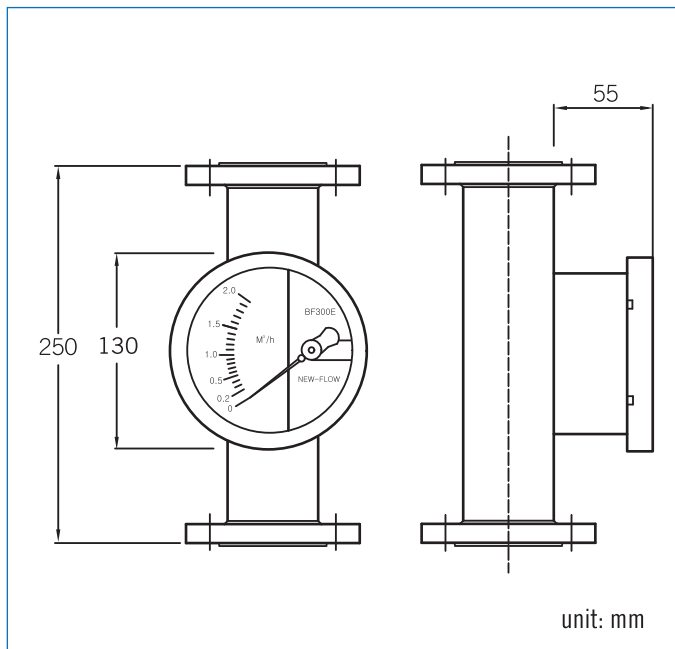
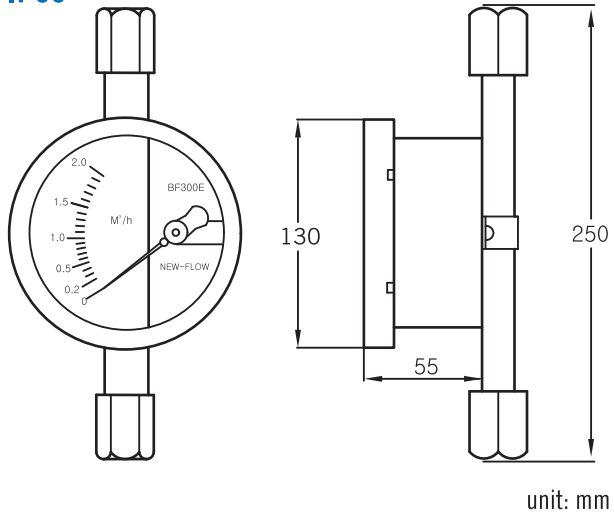


Principle



Dimensions

IP65



Technical Data

BF300E for high flows of gas, liquid and steam

Case Material: SS316

Body wetted parts: SS316, Others on request.

Indication via magnetic coupling (no sealed)

Scales calibrated: in l/h, m³/h, kg/h, %, etc.

Flow rates for:

- Water: 4 l/h up to 100,000 l/h
(special ranges on request)
- Air: 0.1 Nm³/h up to 1200 Nm³/h
(special ranges on request)

Connection types:

- flange type, trip clamp & sanitary
(others on request)

Connection size: 1/2" ~ 5"

Mounting Length: 250 mm, standard or others

Temperature: -50°C to +200°C (300°C option)

Protection class: IP65

Accuracy: ±2% F.S (±1.6% F.S Option)

Max pressure: 40 kg/cm² (standard)
(Option: up to 100 kg/cm²)

Standard Scales

Tube	L/H 20°C Water	NM ³ /H Air 20°C 1.013bar	PmmWater	Connection	Accuracy (NOTE 1.)
BF3001E	4 ~ 30	0.1 ~ 1	≤750	1/2"	±5% F.S
BF3002E	4 ~ 40	0.13 ~ 1.3	≤750	1/2"	±5% F.S
BF3003E	5.5 ~ 55	0.17 ~ 1.7	≤750	1/2"	±5% F.S
BF3004E	8 ~ 80	0.2 ~ 2	≤750	1/2"	±2% F.S
BF3005E	16 ~ 160	0.5 ~ 5	≤750	1/2"	±2% F.S
BF3006E	18 ~ 180	0.6 ~ 6	≤750	1/2"	±2% F.S
BF3007E	30 ~ 300	1 ~ 10	≤750	1/2"	±2% F.S
BF3008E	50 ~ 500	1.5 ~ 15	≤750	1/2"	±2% F.S
BF3009E	60 ~ 600	1.8 ~ 18	≤750	1/2"	±2% F.S
BF3010E	70 ~ 700	2 ~ 20	≤750	1/2"	±2% F.S
BF3011E	100 ~ 1000	3 ~ 30	≤750	3/4"	±2% F.S
BF3012E	120 ~ 1200	4 ~ 40	≤750	1"	±2% F.S
BF3013E	160 ~ 1600	5 ~ 50	≤700	1"	±2% F.S
BF3014E	200 ~ 2000	6 ~ 60	≤700	1"	±2% F.S
BF3015E	240 ~ 2400	7 ~ 70	≤700	1"	±2% F.S
BF3016E	280 ~ 2800	8.5 ~ 85	≤700	1"	±2% F.S
BF3017E	320 ~ 3200	9 ~ 90	≤700	1"	±2% F.S
BF3018E	350 ~ 3500	10 ~ 100	≤700	1"	±2% F.S
BF3019E	500 ~ 5000	14 ~ 140	≤650	1½"	±2% F.S
BF3020E	600 ~ 6000	15 ~ 150	≤650	1½"	±2% F.S
BF3021E	700 ~ 7000	20 ~ 200	≤650	1½"	±2% F.S
BF3022E	800 ~ 8000	24 ~ 240	≤650	1½"	±2% F.S
BF3023E	1000 ~ 10000	30 ~ 300	≤650	2"	±2% F.S
BF3024E	1200 ~ 12000	35 ~ 350	≤650	2"	±2% F.S
BF3025E	1400 ~ 14000	40 ~ 400	≤650	2"	±2% F.S
BF3026E	1500 ~ 15000	45 ~ 450	≤1000	2"	±2% F.S
BF3027E	1800 ~ 18000	60 ~ 600	≤800	2½"	±2% F.S
BF3028E	2000 ~ 20000	75 ~ 750	≤800	2½"	±2% F.S
BF3029E	2300 ~ 23000	90 ~ 900	≤850	3"	±2% F.S
BF3030E	2500 ~ 25000	120 ~ 1200	≤1000	3"	±2% F.S
BF3031E	2800 ~ 28000	-----	≤1100	3"	±2% F.S
BF3032E	3000 ~ 30000	-----	≤1200	3"	±2% F.S
BF3033E	3500 ~ 35000	-----	≤1000	4"	±2% F.S
BF3034E	4000 ~ 40000	-----	≤1000	4"	±2% F.S
BF3035E	5000 ~ 50000	-----	≤1200	4"	±2% F.S
BF3036E	6000 ~ 60000	-----	≤1500	4"	±2% F.S
BF3037E	10000 ~ 100000	-----	≤2500	5"	±2% F.S

NOTE.

- The accuracy ±5% F.S for tube BF3001E~BF3003E.
The accuracy ±2% F.S for tube BF3004E~BF3037E and option ±1.6% F.S on request.
- Performance Technical Data are effective with date of issue and are subject to change without prior notice.

